



onyx

AN **ELECTRIC** REVOLUTION

**MIRAGE 40i**

SHOWROOM  
EXCLUSIVE

# onyx

## The Art of Illusion

Drawing on our mastery in fire innovation, we know how to perfect the ideal flame. With our expertise in design and engineering, we have transposed the beauty of real woodburning visuals into a striking electric format.

Enter the Onyx Mirage 40i – an electric fire that delivers the very art of illusion. This cutting-edge fire embodies the ambience and warmth of a real flame through advanced patented technology, with zero direct emissions. The result is an experience that transcends the boundaries of electric fire technology, transforming your space into a sanctuary – all with the benefit of on-demand heat and energy-saving innovation.



As part of the Stovax Heating Group, Onyx is the culmination of over 40 years of experience designing and crafting best-in-class, award-winning products. The Mirage 40i is no exception – selected as Gold winner for the 2025 London Design Awards in the Product Design category.

**Find out more at [onyxfires.com/awards](https://onyxfires.com/awards)**

**Cover Image:** Mirage 40i Electric, with Polished Chrome-effect Arts Front. Shown with Claremont Limestone Mantel.  
Mirage 40i Electric, with Highlight Polished Wave Front. Shown with Claremont Limestone Mantel.



WATCH THE VIDEO  
[onyxfires.com/mirage](https://onyxfires.com/mirage)



# Unparalleled flame experience

With 16 log and ember bed colour options, adjustable brightness, and pulsing speeds, this fire offers a wealth of customisation. What's more, there are five flame presets to choose from, with most mirroring the natural lifecycle of a real fire.



## The Rhythm of Natural Fire

Choose between a roaring high burn, medium, a lazy low burn, ember glow, or even the ultra-modern Aurora alternative setting.



High Burn



Medium Burn



Low Burn



Ember Glow



Aurora

## Slim design

With an exceptionally slim profile requiring just 75mm of recess, the Mirage 40i is ideal for the typical 16-inch fireplace opening, whether an upgrade to a traditional fireplace, or a brand-new installation.

 SLIMdepth

# Patented Technology. Perfected Ambience.

At its heart is our innovative, patented Mirage Virtual Flame System – delivering a breathtaking illusion using real captured visuals of a perfectly constructed authentic fire, lapping across burning logs and recreating the natural cadence of living flames.

The exposed, hand-painted, log-effect matches and is precisely modelled on the firewood shown in the flame visuals, enhancing the feeling of depth and movement. An array of lifelike media complete the ember bed, all resulting in an immersive, realistic firebox.

## MIRAGE

VIRTUAL FLAME SYSTEM

### See it to believe it

Watch the video to experience the lifelike visuals of the Mirage 40i



Watch now:  
[onyxfires.com/mirage](https://onyxfires.com/mirage)



# Styling Options

The Mirage 40i offers three distinctive styling options, allowing you to tailor its look to complement your home's aesthetic. Choose from a range of high-quality, cast iron decorative façades, available in four elegant finishes, to create a fireplace that truly reflects your taste.



**Arts**



**Chartwell**



**Wave**

Choose your finish



**Polished  
Chrome-effect**



**Highlight  
Polished**



**Black**



**Polished  
Brass-effect**





## Key Features

- Patented Mirage Virtual Flame System for breathtaking realism
- Designed for 16-inch wall opening, with slim depth
- Flame visuals captured from real woodburning fire
- Flame presets reflect the natural lifecycle of a real fire, plus a modern Aurora setting
- Three cast iron designs in various finishes
- Remote and App Controlled
- Ambience with or without the heat
- Fan-only mode, delivering gentle air circulation
- Up to 2kW programmable heating
- Five-Year Extended Warranty (*see page 10*)
- Myriad of adjustable lighting options
- Daily and weekly scheduling via app control
- Internally-lit exposed log-effects, for enhanced glowing hearth realism
- Innovative Ecodesign Energy Saving features for high efficiency such as Open Window Detection and Deep Sleep Mode (*see page 8*)

**MIRAGE**  
VIRTUAL FLAME SYSTEM



# Designed today, made for tomorrow

Along with stunning visuals, the Mirage 40i is a zero-emission electric fire designed to fit seamlessly into today's home standards. Intelligent energy-saving features like open-window detection, and thermostatic control, make it ideal for zonal heating – delivering efficient warmth on demand, while minimising energy wastage and complying with strict Ecodesign energy standards..



## Comfort Through the Seasons

The Mirage 40i allows you to switch the heat off entirely for solely the visual experience, making for year-round ambience whatever the weather.

## Fan-only Mode

Enjoy the fan-only setting, which allows for gentle air circulation. This lets you enjoy the ambience of the flame, even in the height of summer.

## Open Window Detection & Deep Sleep Mode

When there is a rapid drop in temperature, such as when a window is opened, the Mirage 40i detects this, and the heater switches off to conserve energy. Resume heat easily via the remote or app. Also, ensuring energy efficiency, an automatic deep sleep activates when the fire has been on standby for 30 minutes or more.

## Efficient Thermostatic Heating

Simply set your preferred room temperature up to 28°C, and the Mirage will employ its powerful 2kW heater to reach and thermostatically maintain it.

## Zero-emission Heating

The ultimate sustainable heating solution, Mirage 40i Electric Fires deliver zero direct emissions, providing clean, efficient, and environmentally responsible warmth. When powered by renewable energy such as solar or wind, they offer an even greener way to enjoy comfort and ambience.



Mirage 40i Electric, with Highlight Polished Wave Front. Shown with Cavendish Bolection Limestone Mantel.



## Complete Control

Whether you use the remote control, or our intuitive app, adjusting the atmosphere is simple. Access the various functions of your fire, from adjusting the visuals and personalising the flame presets to suit your own taste, to accessing the heating settings, including thermostatic heating and open window detection.

The app gives you further access to the advanced functions, including daily and weekly scheduling for precise integration into your lifestyle and heating needs.



## MyFlame

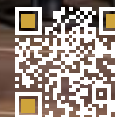


Download the app using the QR code or visit:  
[onyxfires.com/myflame](https://onyxfires.com/myflame)

Alternatively you can search for MyFlame in the App Store.



WATCH THE VIDEO  
[onyxfires.com/mirage](https://onyxfires.com/mirage)



*Mirage 40i Electric, with Polished Chrome-effect Arts Front.*

# Experience the exceptional

When you choose Onyx, you are choosing more than just a fire or stove. You are choosing the pinnacle of British innovation and quality. You are choosing prestige.

As part of the Stovax Heating Group, Onyx is the culmination of over 40 years of experience designing and crafting best-in-class flame effect fires. Every fire and stove is born in our state-of-the-art research and development laboratories, and incorporates industry leading technology and design.

Offering a renowned and varied product range, the Stovax Heating Group's portfolio includes everything from the traditional to the ultracontemporary in a wide array of styles and sizes. Full details of the Stovax Group's range of products can be found at: [stovax.com](http://stovax.com).

The Stovax Heating Group is an ISO9001 and ISO14001 accredited company. Our rigorous quality control system ensures that all our appliances are safety checked and that they comply with the appropriate regulations, with all fires in this brochure bearing the CE and UKCA mark. Similarly, our environmental management systems ensure we work in a sustainable manner, whilst endeavouring to protect the environment by minimising any possible impact from our operations.

We are proud to be part of the award-winning Stovax Heating Group, recognised for our high-quality products and innovative technology. Find out more at [onyxfires.com/awards](http://onyxfires.com/awards)



## Expert Retailer Network

We take great care to ensure that our fires are designed, tested, and manufactured to the highest possible quality and safety standards. We are just as determined to make sure they are sold and installed correctly so that you will enjoy years of pleasure from your purchase. Accordingly, you will find the Onyx Mirage 40i Electric is exclusively available from our experienced, independent retailers' showrooms.

Whilst we encourage our retailers to promote fireplace products and their outlets via the internet, we do not believe suitable levels of customer care and satisfaction can be obtained from purchasing the product only online. We would strongly recommend that you consider this when undertaking your research and making a purchasing decision. Please be aware that we do not offer technical support (beyond our statutory responsibilities) to products bought via nationwide online sales, where this support would normally be offered

by one of our qualified, independent retailers. In addition, Onyx fires purchased from within our Expert Retailer Network will have the additional benefit of an extended warranty period, subject to terms and conditions. Full details can be found on [onyxfires.com/warranty](http://onyxfires.com/warranty)



*Mirage 40i Electric, with Highlight Polished Chartwell Front. Shown with Grafton Limestone Mantel with Belgravia London Cast Front.*

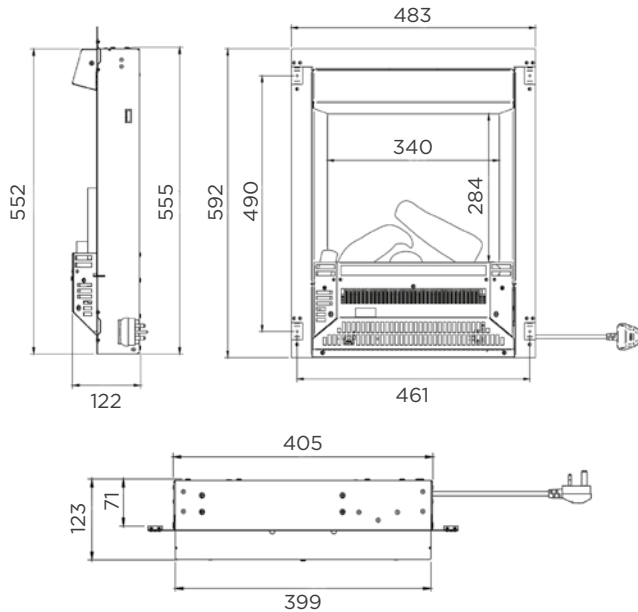
## The Onyx Promise

Your Onyx retailer will provide you with a Five-Year warranty, extending your standard warranty from two to five years when you register with Onyx. This warranty includes a consumables guarantee for the first year - see online for further details at [onyxfires.com/warranty](http://onyxfires.com/warranty)



# Technical Information

## Dimensions & Product Codes



All dimensions are in mm. Dimensions shown are fire only before fitting the decorative front façade.

The above technical information is to assist you when choosing your ideal fire. It is not intended to be all the information required to install your fire or stove, this can be obtained from your local Onyx retailer, or you can view/download the relevant full installation instructions from the Onyx website at [onyxfires.com](http://onyxfires.com)

### MIRAGE 40i ARTS

**Frame Dimensions**  
510 x 610 x 76mm (W x H x D)

- 228-005 Arts, Black
- 228-011 Arts, Polished Chrome-effect
- 228-023 Arts, Highlight Polished
- 228-038 Arts, Polished Brass-effect

### MIRAGE 40i WAVE

**Frame Dimensions**  
510 x 610 x 70mm (W x H x D)

- 228-042 Wave, Black
- 228-050 Wave, Polished Chrome-effect
- 228-064 Wave, Highlight Polished
- 228-077 Wave, Polished Brass-effect

### MIRAGE 40i CHARTWELL

**Frame Dimensions**  
510 x 610 x 73mm (W x H x D)

- 228-086 Chartwell, Black
- 228-091 Chartwell, Polished Chrome-effect
- 228-102 Chartwell, Highlight Polished
- 228-114 Chartwell, Polished Brass-effect



# win the cost of your fire back! ♦

Simply share your thoughts and photos of your new fire installation to enter our draw and be in with the chance of winning back the cost of your fire!

- We will publish your entry on our Onyx customer showcase page
- You will be entered into a draw for the chance to win the cost of your product back
- Gain a **second entry** by registering your product online for your free extended warranty here: [onyxfires.com/registration](http://onyxfires.com/registration)



View real life installations and submit your review at: [onyxfires.com/showcase](http://onyxfires.com/showcase)

\*Terms and conditions apply. See online for details



Mirage 40i Electric, with Black Wave Front.



Stovax Heating Group Ltd

Spitfire Avenue, Skypark, Clyst Honiton,  
Exeter, Devon, England, EX5 2FR

Trade sales

01392 261999 • info@onyxfires.com



onyxfires.com



Find your nearest retailer by visiting:

[onyxfires.com/retailers](https://onyxfires.com/retailers)

STOVAX  GAZCO

**Product Improvement & Photography:** Onyx pursues a policy of continuous product improvement, and our products may change following brochure photography. Our photography is taken in the best possible studio environment to ensure the closest representation of the product in our materials.

To enjoy a premium purchasing experience, and account for any variations in print, we always recommend visiting your nearest Onyx expert retailer, where you can view our fires live in their showroom.

**Onyx gratefully acknowledges the assistance of the following companies with photographic settings:**

[www.dfs.co.uk](http://www.dfs.co.uk); [www.furniturevillage.co.uk](http://www.furniturevillage.co.uk); [www.pexels.com](http://www.pexels.com);  
[www.theorangetree.co.uk](http://www.theorangetree.co.uk); [www.habitat.co.uk](http://www.habitat.co.uk); [www.next.co.uk](http://www.next.co.uk);  
[www.chunkymonkeyfurniture.co.uk](http://www.chunkymonkeyfurniture.co.uk); [www.johnlewis.com](http://www.johnlewis.com);  
[www.amoslighting.co.uk](http://www.amoslighting.co.uk); [www.farmington.co.uk](http://www.farmington.co.uk);  
[www.originalstyle.com](http://www.originalstyle.com); [www.desenio.co.uk](http://www.desenio.co.uk); [www.ikea.com](http://www.ikea.com);  
[www.3dwallpanels.co.uk](http://www.3dwallpanels.co.uk); [www.stoneandsurfaces.co.uk](http://www.stoneandsurfaces.co.uk);  
[www.wallsandfloors.com](http://www.wallsandfloors.com); [www.andrewmartin.co.uk](http://www.andrewmartin.co.uk).

MIRAGEBRO0126



© All material copyright Stovax Gazco Ltd 2026 E & O E

Paper sourced from sustainable forests and printed using vegetable-based inks.

*Mirage 40i Electric, with Black Arts Front. Shown with Brompton Wood Mantel in Grey.*

