



Stainless Steel Balanced Flue Systems



for balanced flue fires and stoves



Stainless Steel Balanced Flue Systems

- Specially developed for use with Gazco & Onyx balanced flue fires & stoves
- 304 grade stainless steel and aluminium components
- Some items also offered with an Anthracite finish
- Requires no locking bands or self-tapping screws
- Terminals rigorously tested in wind tunnels
- The silicon seals secure and seal the joints of the interlocking balance flue pipe
- Create virtually any flue system to suit your customer's installation
- Consult national regulations before commencing any work
- All inner flue spigots have had the inner seal removed to allow for easier installation

*Gazco Riva2 600 Designio2 Steel in Graphite
with EchoFlame Black Glass Lining*

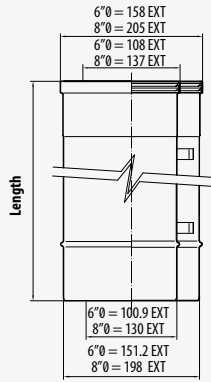


Gazco Sheraton 5



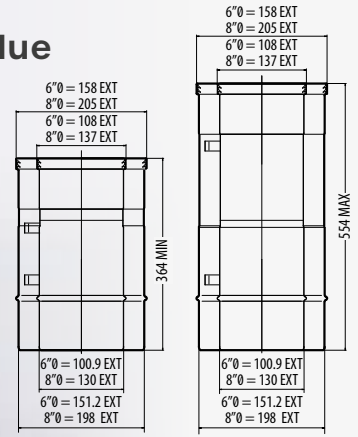
Onyx Avanti 85 with Edge+ Frame

Flue Lengths



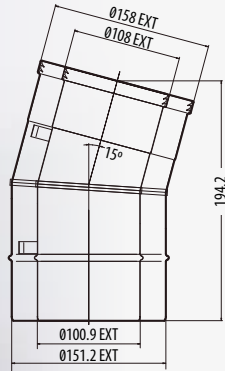
Length	6" Stainless Steel	8" Stainless Steel	6" Anthracite
200mm	8527	999-113	8527AN
500mm	8528	999-132	8528AN
1000mm	8529	999-177	8529AN

Adjustable Flue Length



6" Stainless Steel	8" Stainless Steel
999-062	999-255

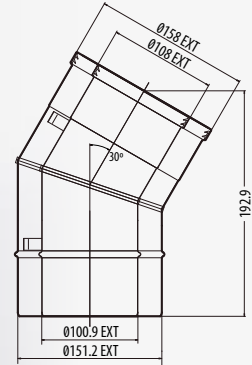
15° Bend



6" Only

Stainless Steel	Anthracite
999-003	999-031

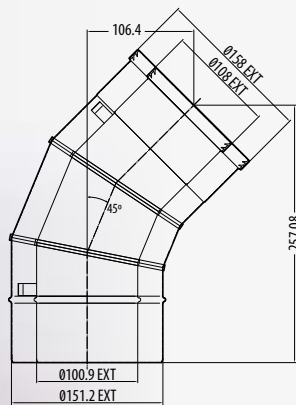
30° Bend



6" Only

Stainless Steel	Anthracite
999-016	999-078

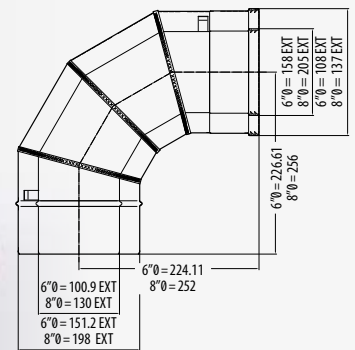
45° Bend



6" Only

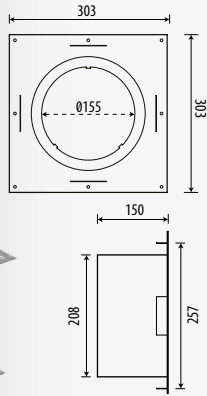
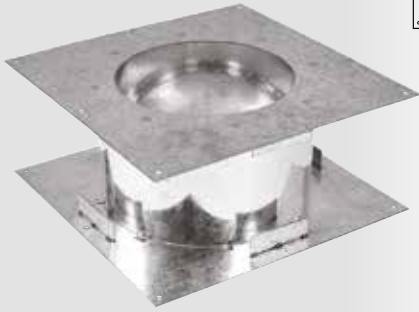
Stainless Steel	Anthracite
8507	8507AN

90° Bend



6" Stainless Steel	8" Stainless Steel	6" Anthracite
8508	999-059	8508AN

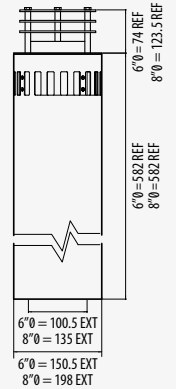
Firestop Plate with Support Bracket



6" Only

Stainless Steel
999-040

Horizontal Flue Terminal (wall)



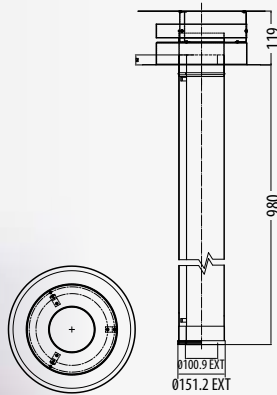
6" Aluminium

8" Aluminium

999-105

999-006

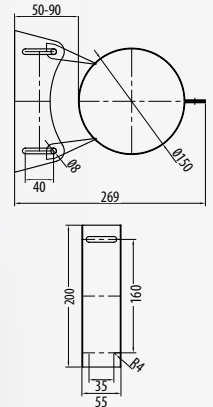
Vertical Flue Terminal (roof)



6" Only

Stainless Steel
999-141

Adjustable Wall Support

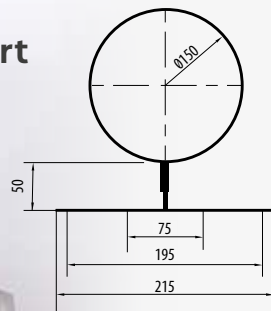


6" Only

Stainless Steel

999-130

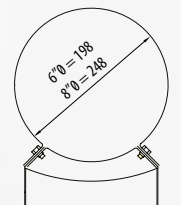
Fixed Wall Support



6" Only

Stainless Steel
999-072

Wall Bracket



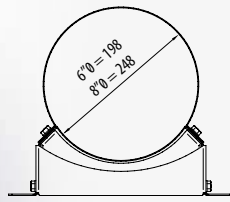
6" Stainless Steel

8" Stainless Steel

FXQ150-030

FXQ200-030

Wall bracket with easy fit extension



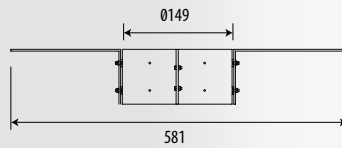
6" Stainless Steel	8" Stainless Steel
FXQ150-030EXT	FXQ200-030EXT

Rear Exit Termination Kit (All Stoves)



8526	Stainless Steel Terminal and guard with Aluminium pipe
------	--

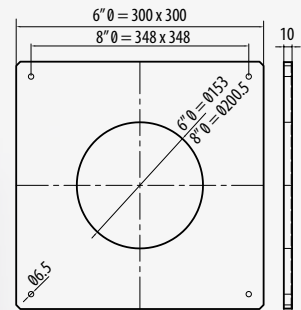
Vaulted Rafter Support



6" Only

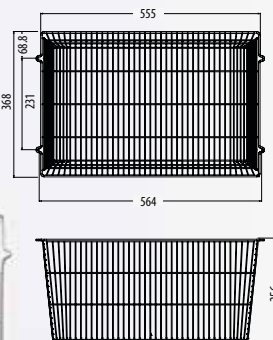
Stainless Steel
999-032

External Wall Finishing Plate



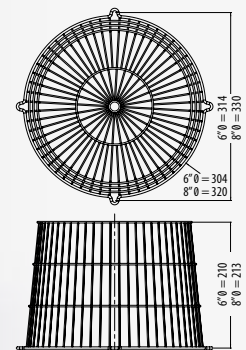
6" Stainless Steel	8" Stainless Steel
999-235	999-038

Rear Exit Terminal Guard



Trivalent chromium for Zinc deposits
MEC0128

Horizontal Exit Terminal



6" Trivalent chromium for Zinc deposits	8" Trivalent chromium for Zinc deposits
999-201	999-262



Gazco Reflex 105-3 with EchoFlame Black Glass Lining, with Left Open Corner Ventilation Bar



Horizontal Exit Terminal Kit



Appliance	Aluminium terminal Stainless Steel pipe	Anthracite terminal Stainless Steel pipe
Stoves* inc Onyx Liv 3, Reflex 75T & 75T Multi-sided, Onyx Avanti 65 & 85	8523	8523AN
Studio 1	8534	8534AN
Riva2 500 & 750, Studio 2 & CL8, Onyx Avanti 65 & 85	8509	8509AN
Studio 2 Duplex & Studio 3	8567	N/A
Reflex 105	999-333	N/A

*Excluding CL8

Vertical Termination Starter Kit



Appliance	Stainless Steel	Anthracite
All appliances* inc Onyx Liv3 & Onyx 65 & 85	8524	8524AN
All appliances*	8530 (2 x 45° Offset Bends)	8530AN (2 x 45° Offset Bends)
Huntingdon 30 & 40, Stockton 5, Sheraton 5, Chesterfield 5, CL5 & CL8	999-539	999-539AN
Reflex 105	999-352	N/A

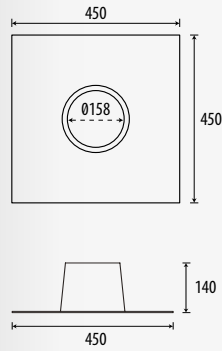
*Suitable for all appliances except Huntingdon 30 and Stockton 5 gas stoves

Chimney Renovation Kit



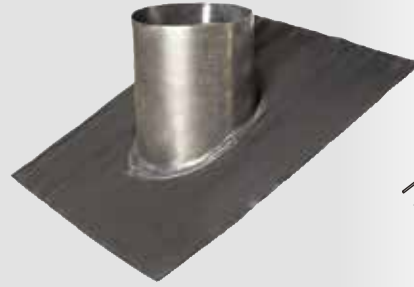
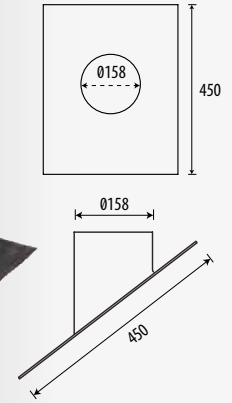
Appliance	6" Stainless Steel	8" Stainless Steel
Riva2 500, 600 & 750HL, Reflex 75T & 75T Multi-sided	928-315	-
Reflex 105	-	999-019
Onyx Avanti 65 & 85	928-363	-

Flat Lead Flashing



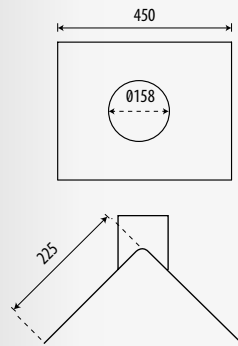
Lead
999-154

30° - 40° Lead Flashing



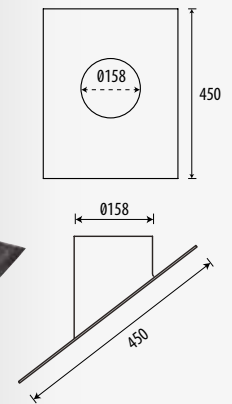
Lead
999-161

Ridge Flashing



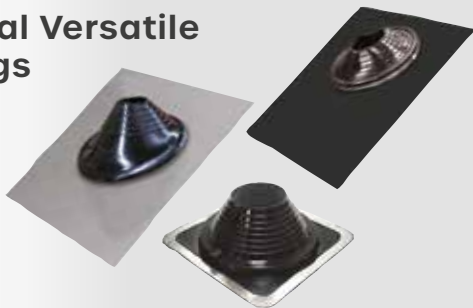
Lead
999-193

40° - 50° Lead Flashing



Lead
999-174

Aquaseal Versatile Flashings



FXQ-052	125mm - 175mm Aluminium Base EPDM Black to 115°C
FXQ-053	150mm - 300mm Aluminium Base EPDM Black to 115°C (Base: 750mm ²)
FXQ-054	125mm - 200mm Lead Base EPDM Black to 115°C (Base: 620mm ²)
FXQ-058	200mm - 300mm Square Section EPDM Black to 115°C (Base: 440mm ²)
FXQ-059	125mm - 200mm Square Section for metal and profiled roofs EPDM Black to 115°C (Base: 370mm ²)
FXQ-059SK	EPDM Flashing Kit for FXQ-058, FXQ-059



Gazco Huntingdon 40 with Clear Door

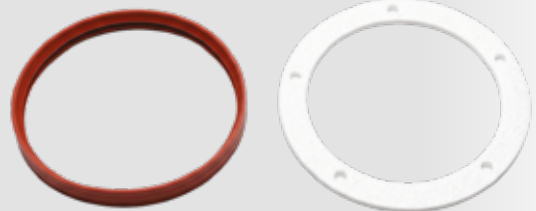


Storm Collar



Stainless Steel
999-046R

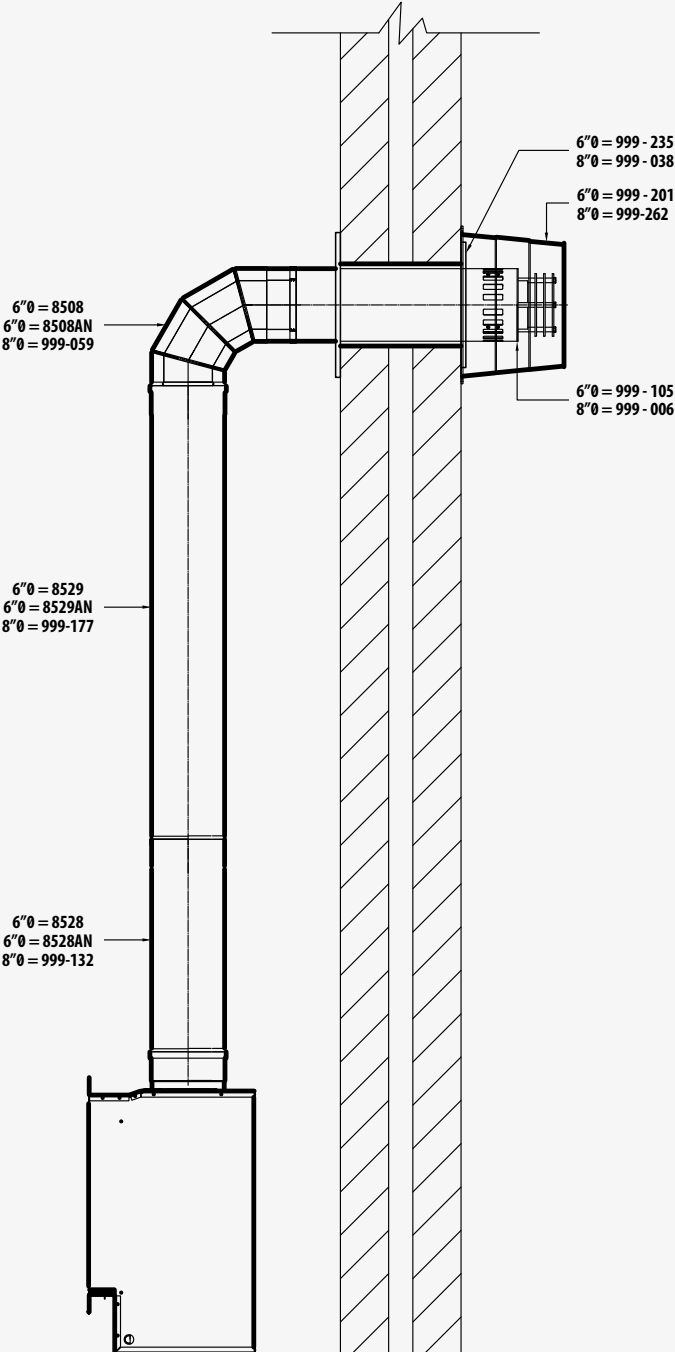
Gaskets and Seals



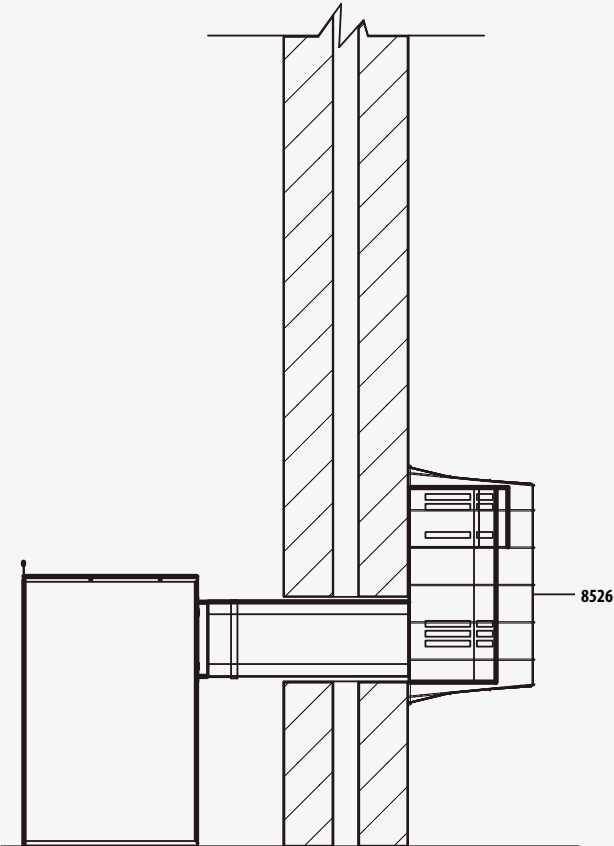
FA0422	Inner Seal
FA0423	Outer Seal
CE0210	Inner Gasket
CE0211	Outer Gasket

Typical installations

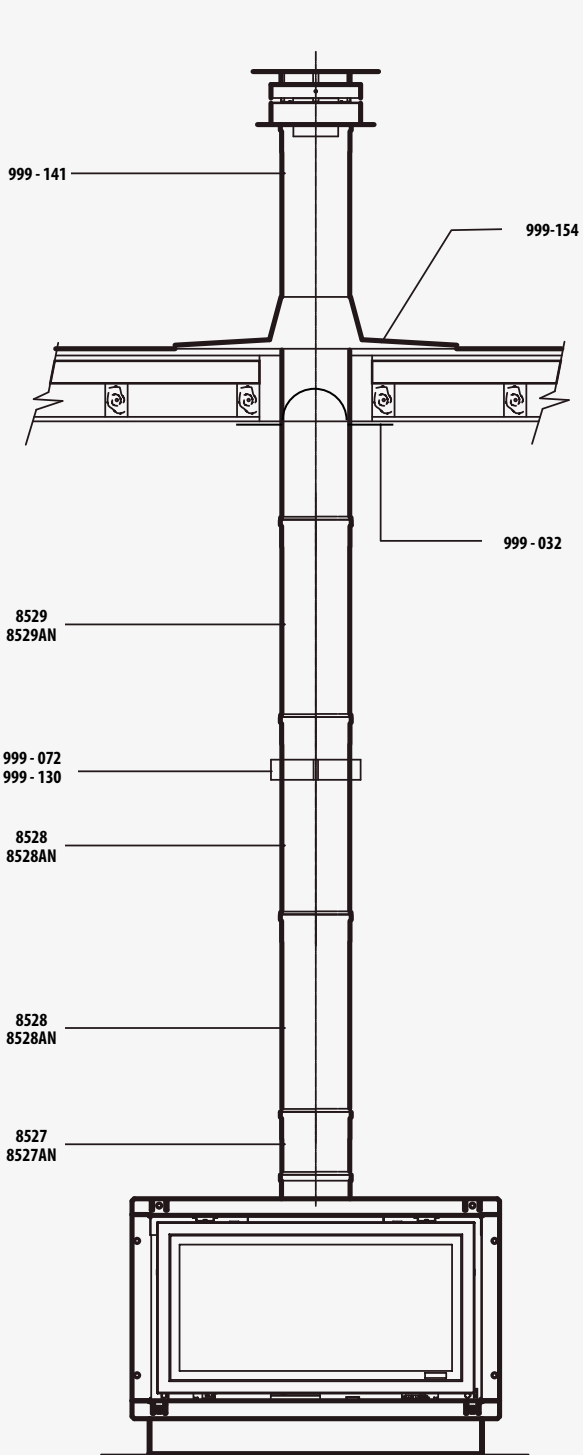
Horizontal Exit Termination



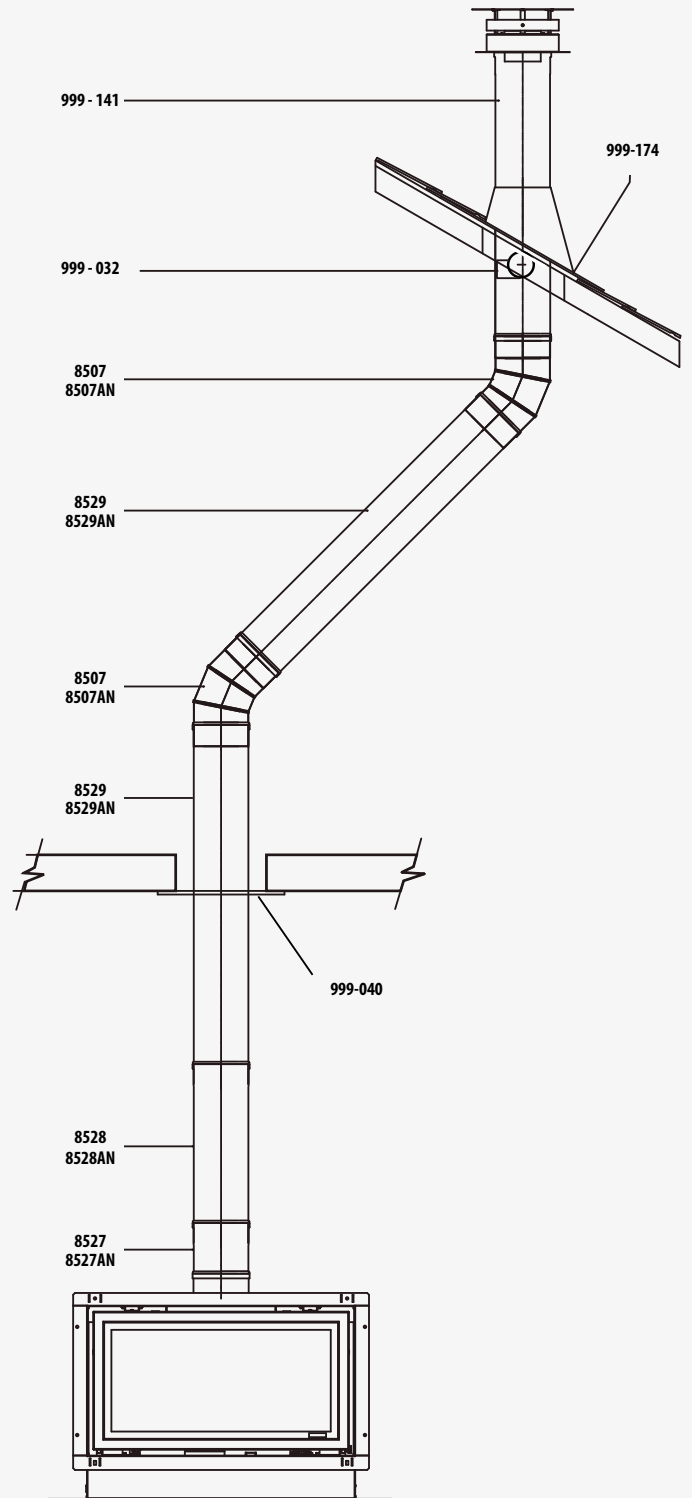
Rear Exit Termination



Vertical Exit Termination



Vertical Offset Exit Termination





 **GAZCO** •  **onyx**

Stovax Gazco Ltd, Spitfire Avenue, Skypark, Clyst Honiton, Exeter, EX5 2FR
Trade Sales: 01392 261999 • **Email:** info@gazco.com / info@onyxfires.com

gazco.com • onyxfires.com



To view and download our complete range of brochures, visit www.gazco.com/brochures

Gazco's policy is one of constant product improvement. Components may therefore sometimes differ from the descriptions or illustrations in this brochure

© All material copyright Stovax Ltd 2026 • E & O E

Paper sourced from sustainable forests and printed using vegetable-based inks



Brochure ref: GZFLUE0326